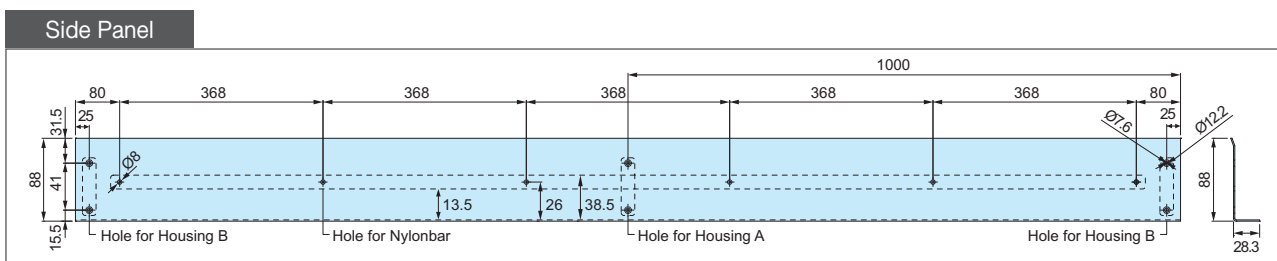
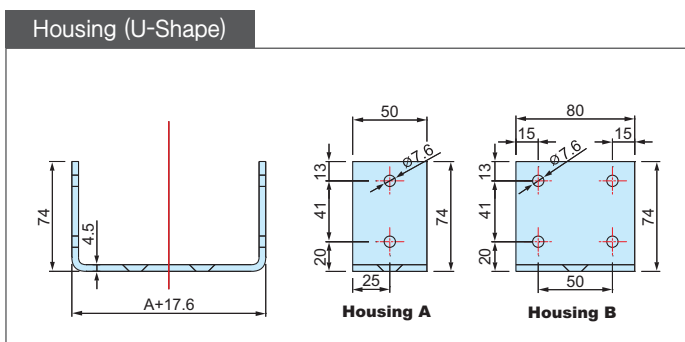
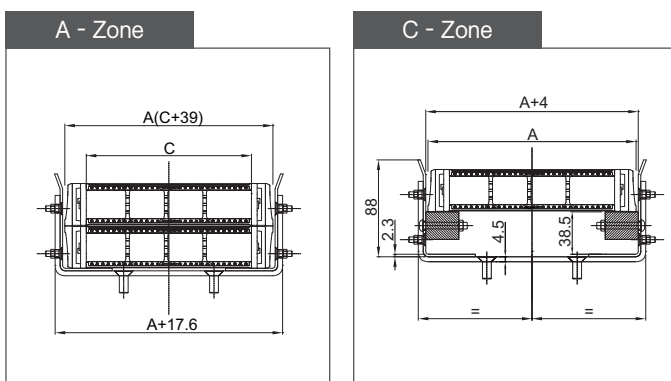


## GUIDE CHANNEL



(Dimensions in mm)

## GUIDE CHANNEL ORDERING

### ST-GCS 044ES. 100 / A,C : 200M

