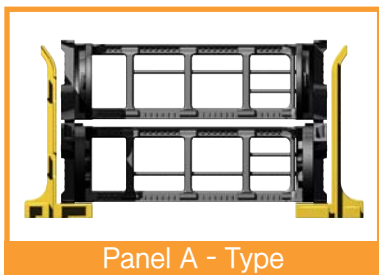
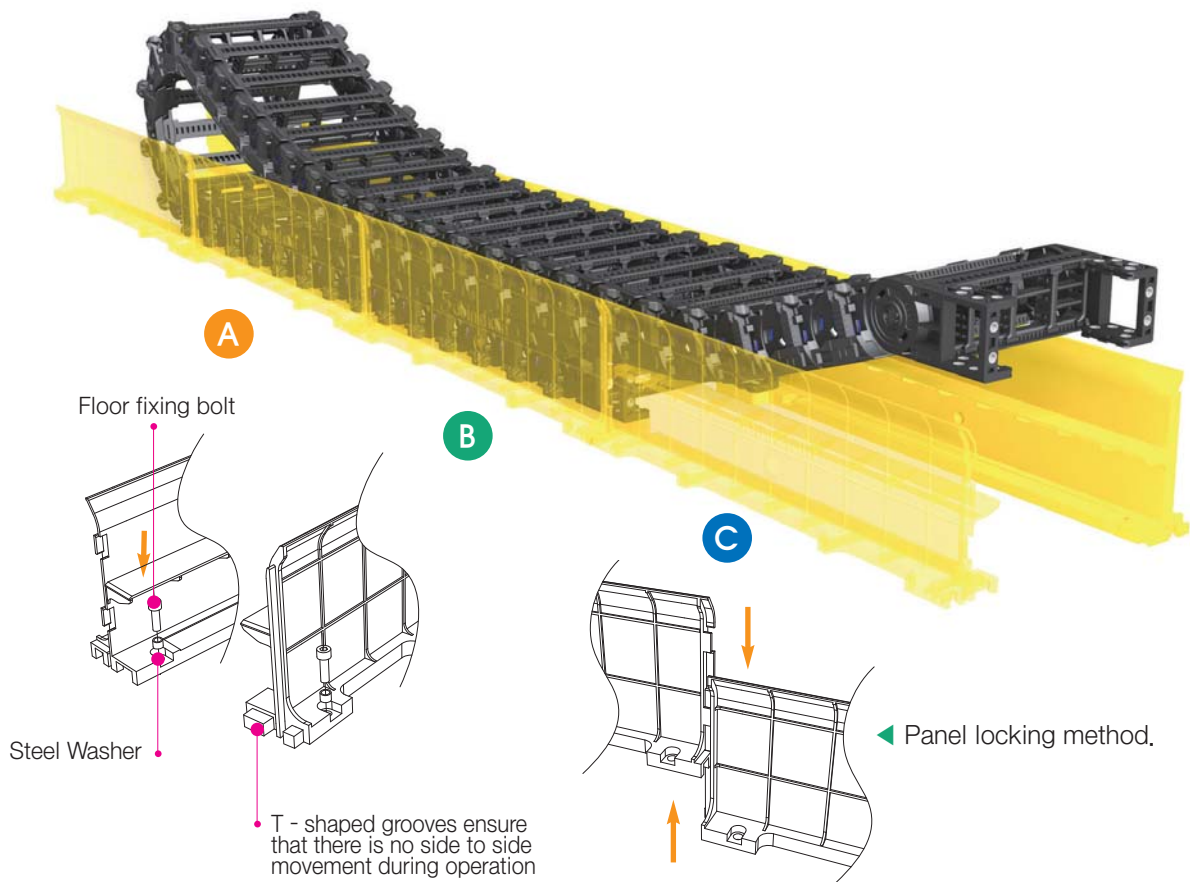
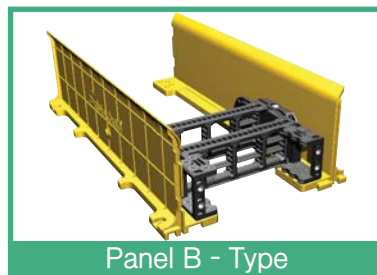




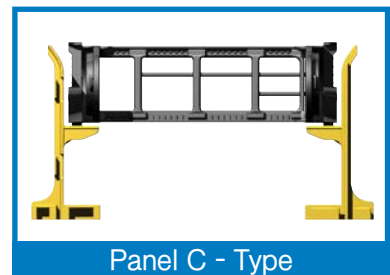
## 5 Develop Innovative System Guide Channel Firstly In The World!



- This panel is installed down the front end of the stroke where the Shift Chain is riding on itself.



- This panel is for securing the Shift Chain bracket to the channel in the mounting positions.

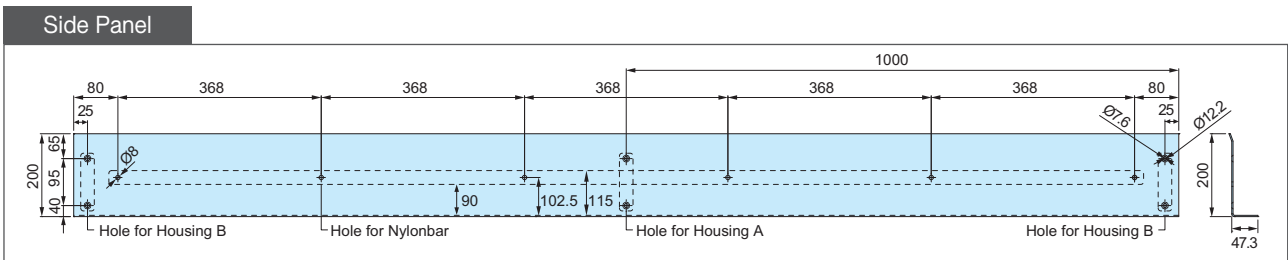
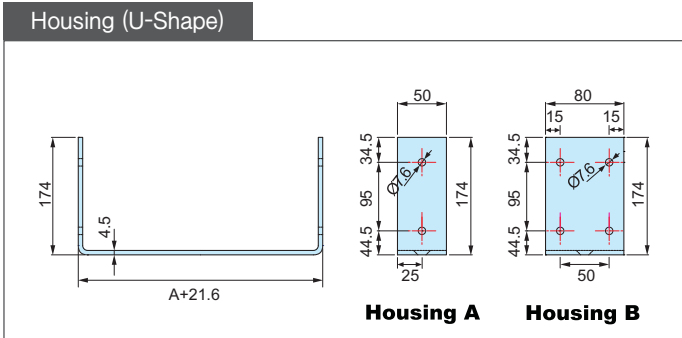
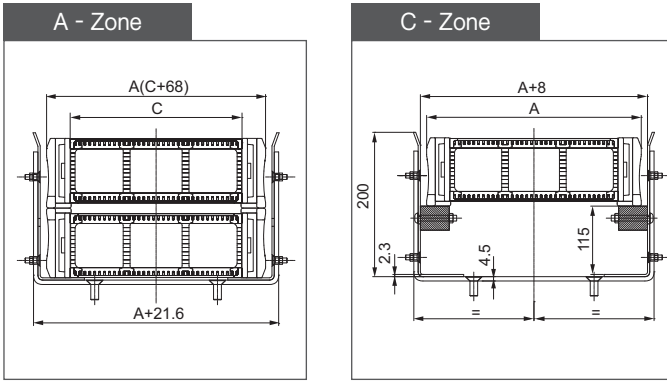


- This panel is for installation on the back end of the stroke, past the center of the travel length to provide support to the topside links.

### System Guide Channel

- The new System Guide Channel keeps your Shift Chain on course for long stroke applications where balance is the key.
- The System Guide Channel compared to the current steel guide channel is lighter, easier to assemble, disassemble and it is easier and safer to install as well.
- In lengths of 500mm, the System Guide Channel comes in three different types and CPS-Amide combined with GF material help to make the guide channel strong and sturdy. For most applications, your steel guide channel can be switched out quite easily to the new System Guide Channel.
- Due to the UV (Ultraviolet) and ESD (Electro-Static Discharge) protection, you can apply the same safety options to your System Guide Channel as the ones you already have on your Sabin Chain Series.

📌 **GUIDE CHANNEL**



(Dimensions in mm)

📌 **GUIDE CHANNEL ORDERING**

**ST-GCS 120S. 175 / A,C : 200M**

