

## “M” execution with clamp hubs

This type of coupling permits quick, sure fixing, without any shaft-hub backlash.

With the keyless coupling type, the torque applied for tightening

down the screws (Ms) must be as given in the table.

The M coupling type is available with or without keyway.

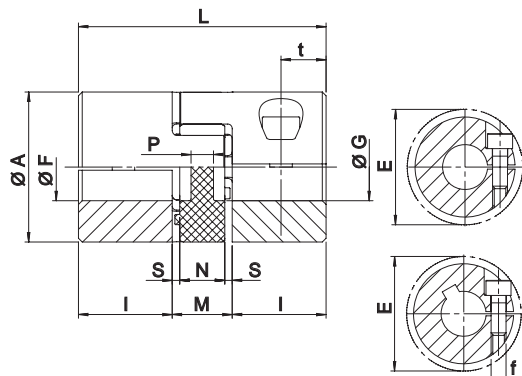


Fig. 1

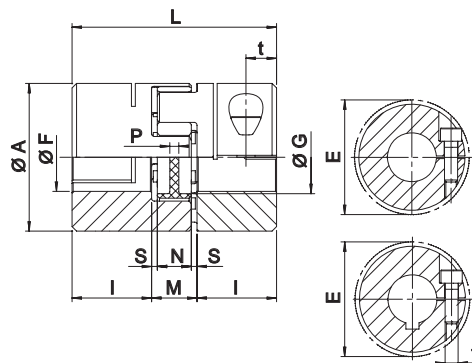


Fig. 2

Size	F min [mm]	F max [mm]	f	Ms [Nm]	Hub		n <sub>max</sub> [min <sup>-1</sup> ]
					W [kg]	J [kgm <sup>2</sup> ]	
<b>ALUMINUM HUBS</b>							
7	3	7	M2	0,35	0,003	0,085 x 10 <sup>-6</sup>	40.000
9	4	9	M2,5	0,75	0,007	0,42 x 10 <sup>-6</sup>	28.000
14	6	15	M3	1,4	0,018	2,6 x 10 <sup>-6</sup>	19.000
19/24	10	20	M6	11	0,071	18,1 x 10 <sup>-6</sup>	14.000
24/28	10	28	M6	11	0,156	74,9 x 10 <sup>-6</sup>	10.600
28/38	14	35	M8	25	0,240	163,9 x 10 <sup>-6</sup>	8.500
38/45	19	45	M8	25	0,440	465,5 x 10 <sup>-6</sup>	7.100
<b>STEEL HUBS</b>							
42	25	50	M10	70	2,100	3.095 x 10 <sup>-6</sup>	6.000
48	25	55	M12	120	2,900	5.160 x 10 <sup>-6</sup>	5.600
55	35	70	M12	120	4,000	9.737 x 10 <sup>-6</sup>	5.000
65	40	80	M14	190	5,800	17.974 x 10 <sup>-6</sup>	4.600

Keyway position	A [mm]	G [mm]	L [mm]	I [mm]	M [mm]	N [mm]	S [mm]	P [mm]	t [mm]	E [mm]	Fig.
-	14	-	22	7	8	6	1,0	6	4	15,0	1
-	20	7,2	30	10	10	8	1,0	2	5	23,4	1
180°	30	10,5	35	11	13	10	1,5	2	5,5	32,2	1
120°	40	18	66	25	16	12	2,0	3,5	12	45,7	1
90°	55	27	78	30	18	14	2,0	4	12	56,4	2
90°	65	30	90	35	20	15	2,5	5,2	13,5	72,6	2
90°	80	38	114	45	24	18	3,0	5,6	16	83,3	2
<b>STEEL HUBS</b>											
-	95	46	126	50	26	20	3,0	5,6	20	78,8	2
-	105	51	140	56	28	21	3,5	6	21	108,0	2
-	120	60	160	65	30	22	4,0	9	26	122,0	2
-	135	68	185	75	35	26	4,5	8,3	27,5	139,0	2

From size 7 to 19/24: single slot execution  
From size 24/28 to 65: double slot execution

Hub **GESM 48 F50**

GESM: TRASCO® ES hub

Size

F...: bore diameter  
F...C: bore diameter and keyway

Spider **AES 24/28 R**

TRASCO® ES spider

Size

B: 80 Sh A (blue)  
G: 92 Sh A (yellow)  
R: 98 Sh A (red)  
V: 64 Sh D (green)

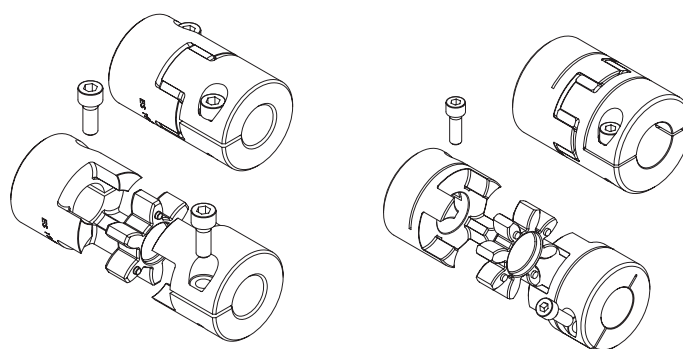


Fig. 1

Fig. 2

M <sub>S</sub>	Screw tightening torque	Nm
W	Weight	kg
J	Coupling moment of inertia	kgm <sup>2</sup>
n <sub>max</sub>	Maximum rpm	min <sup>-1</sup>

Using hub execution **M** without keyway, the maximum transmissible torque is the minor between the clamp-hub transmissible torque and the value stated in the section “**Technical characteristics**”.

Size	Recommended <b>M</b> coupling Type Hub Bore Dia. [mm] and Transmissible Torque [Nm], Valid for shaft tolerances k6																																							
	Ø 4	Ø 5	Ø 6	Ø 7	Ø 8	Ø 9	Ø 10	Ø 11	Ø 12	Ø 14	Ø 15	Ø 16	Ø 19	Ø 20	Ø 22	Ø 24	Ø 25	Ø 28	Ø 30	Ø 32	Ø 35	Ø 38	Ø 40	Ø 42	Ø 45	Ø 48	Ø 50	Ø 55	Ø 60	Ø 65	Ø 70	Ø 75	Ø 80							
<b>7</b>	0,7	0,8	1	1,1																																				
<b>9</b>	1,1	1,4	1,7	1,9	2,2	2,5	2,8	3																																
<b>14</b>			2,5	2,9	3,3	3,7	4,1	4,6	5	5,8	6,2	6,6																												
<b>19/24</b>							23	25	27	32	34	36	43	45																										
<b>24/28</b>							23	25	27	32	34	36	43	45	50	54	57	63																						
<b>28/38</b>											58	62	66	79	83	91	100	104	116	124	133	145																		
<b>38/45</b>													79	83	91	100	104	116	124	133	145	158	166	174	187															
<b>42</b>																		217	243	261	278	304	330	348	365	391	417	435												
<b>48</b>																		299	335	359	383	419	455	479	503	539	575	599	659											
<b>55</b>																						356	387	407	428	458	489	509	560	611	662	713								
<b>65</b>																								558	586	628	670	697	767	837	907	976	1046	1116						