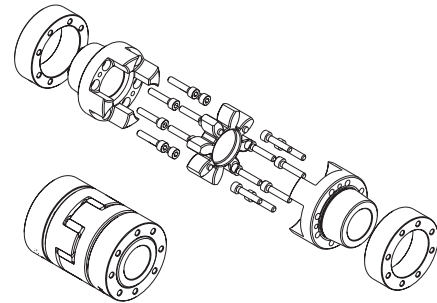
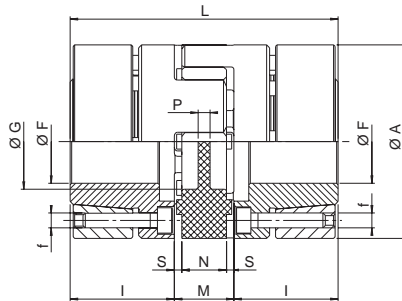


## “A” type - Shrink disc execution

This type of coupling provides excellent kinetic uniformity. Furthermore, the absence of keys or grub screws makes it a well-balanced coupling and greatly facilitates installation and removal. An exact radial/axial positioning is easy for those

applications which require it. The absence of keyways also avoids fretting corrosion and backlash between the shaft and the hub. This is the ideal type of coupling for applications requiring precision and/or high rotational speeds.



Size	F <sub>min</sub> [mm]	F <sub>max</sub> [mm]	f	Screws per locking elements	M <sub>s</sub> [Nm]	Hub		n <sub>max</sub> [min <sup>-1</sup> ]
						W [kg]	J [kgm <sup>2</sup> ]	
<b>ALUMINUM HUBS AND STEEL LOCKING ELEMENT</b>								
14	6	14	M3	4	1,3	0,049	7 x 10 <sup>-6</sup>	28.000
19/24	10	20	M4	6	2,9	0,120	30 x 10 <sup>-6</sup>	21.000
24/28	15	28	M5	4	6,0	0,280	135 x 10 <sup>-6</sup>	15.500
28/38	19	38	M5	8	6,0	0,450	315 x 10 <sup>-6</sup>	13.200
38/45	20	45	M6	8	10,0	0,950	960 x 10 <sup>-6</sup>	10.500
<b>STEEL HUBS AND LOCKING ELEMENT</b>								
42	28	50	M8	4	35,0	2,300	3.150 x 10 <sup>-6</sup>	9.000
48	35	60	M8	4	35,0	3,080	5.200 x 10 <sup>-6</sup>	8.000
55	38	65	M10	4	71,0	4,670	10.300 x 10 <sup>-6</sup>	6.300
65	40	70	M12	4	120,0	6,700	19.100 x 10 <sup>-6</sup>	5.600

A [mm]	G [mm]	L [mm]	I [mm]	M [mm]	N [mm]	S [mm]	P [mm]
<b>ALUMINUM HUBS AND STEEL LOCKING ELEMENT</b>							
30	10,5	50	18,5	13	10	1,5	2
40	18	66	25	16	12	2,0	3,5
55	27	78	30	18	14	2,0	4
65	30	90	35	20	15	2,5	5,2
80	38	114	45	24	18	3,0	5,6
<b>STEEL HUBS AND LOCKING ELEMENT</b>							
95	46	126	50	26	20	3,0	5,6
105	51	140	56	28	21	3,5	6
120	60	160	65	30	22	4	9
135	68	185	75	35	26	4,5	8,3

Using hub execution **A**, the shrink-disc maximum transmissible torque is the minor between the value stated in the table

below and the value stated in section “**Technical characteristics**”.

Size	Recommended <b>A</b> coupling Type Hub Bore Dia. [mm] and Transmissible Torque [Nm], valid for shaft tolerances k6																										
	Ø 10	Ø 11	Ø 14	Ø 15	Ø 16	Ø 17	Ø 18	Ø 19	Ø 20	Ø 22	Ø 24	Ø 25	Ø 28	Ø 30	Ø 32	Ø 35	Ø 38	Ø 40	Ø 42	Ø 45	Ø 48	Ø 50	Ø 55	Ø 60	Ø 65	Ø 70	
14	10	12	22																								
19/24	42	46	60	65	69	74	79	84	88																		
24/28				66	72	77	82	87	92	102	113	118	135														
28/38										175	185	205	225	235	266	287	308	339	373								
38/45														255	283	312	326	367	398	427	471	515	545	577	620		
42																											
48																											
55																											
65																											

### Order form

Hub **GESA 48 F45**

GESA: TRASCO® ES hub - “A” execution

Size

F...: bore diameter

Spider **AES 24/28 R**

TRASCO® ES spider

Size

B: blue; G: yellow; R: red; V: green

M <sub>s</sub>	Screw tightening torque	Nm
W	Weight	kg
J	Coupling moment of inertia	kgm <sup>2</sup>
n <sub>max</sub>	Maximum rpm	min <sup>-1</sup>