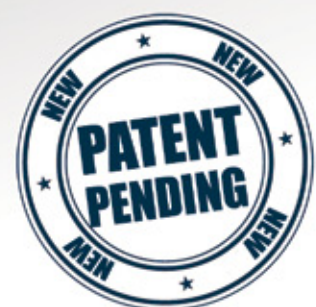
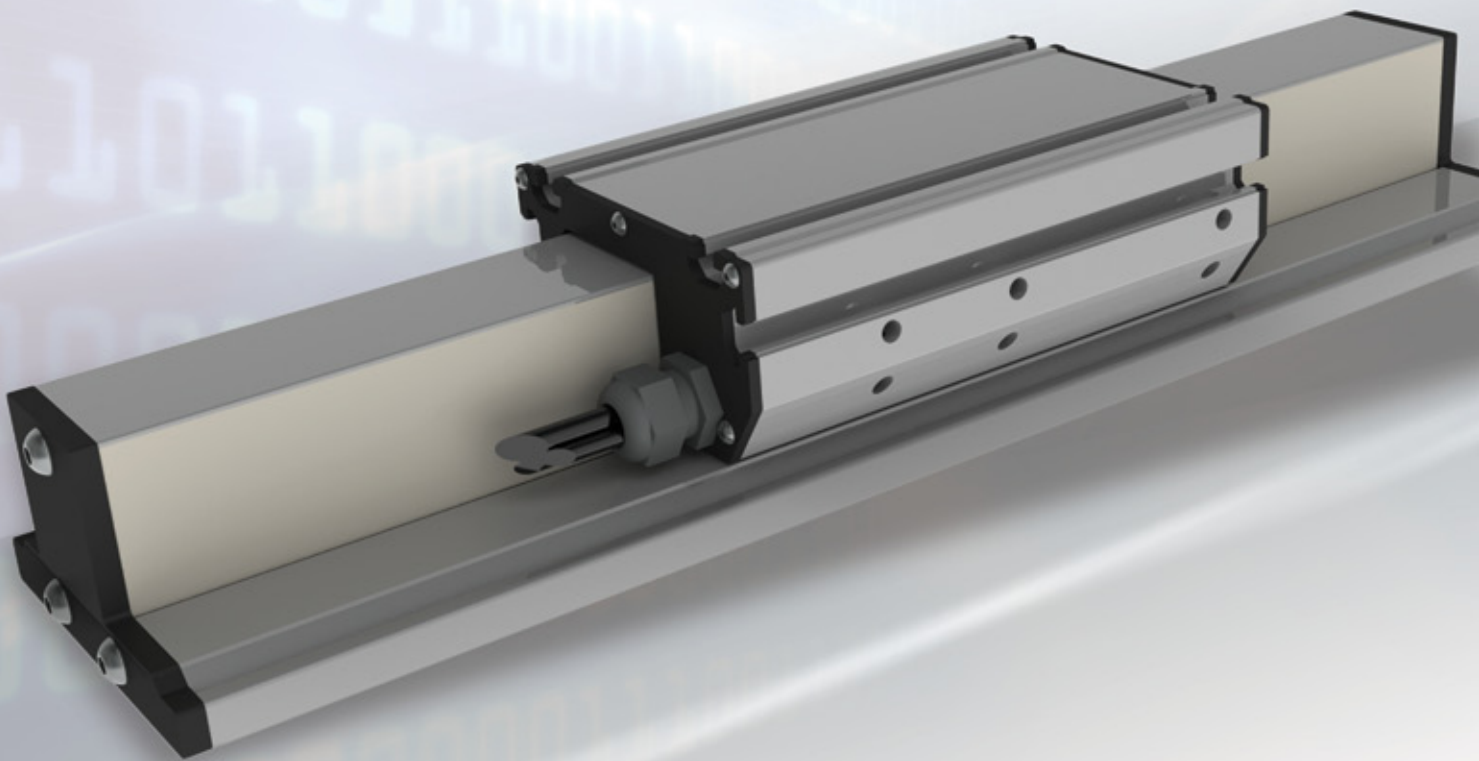




Innovation & Excellence

Ride fast - Pay economy

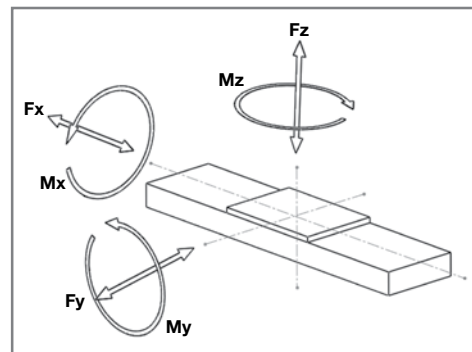
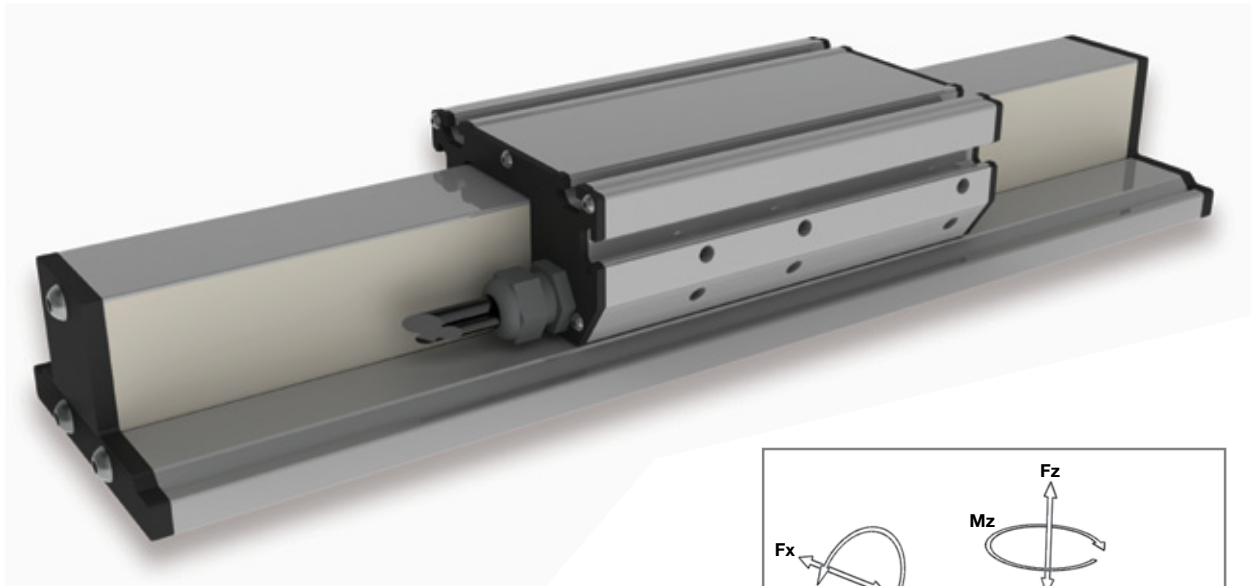
Linear motors at belt prices





MLL linear motor stages

Technical Description



Maximum Length without joints: up to 4.020 mm
 For code descriptions please see the "Order Code" on page 18

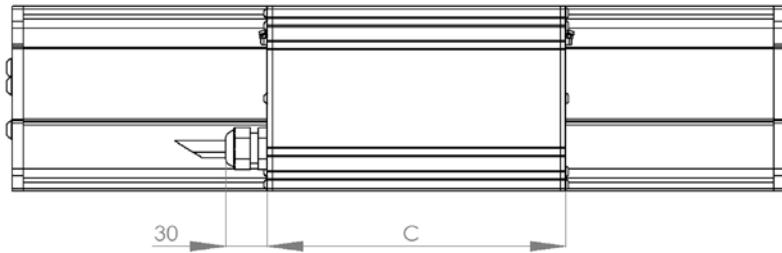
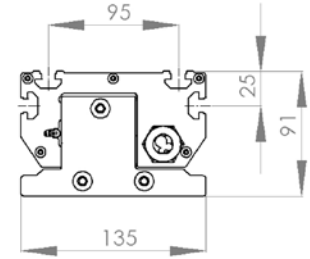
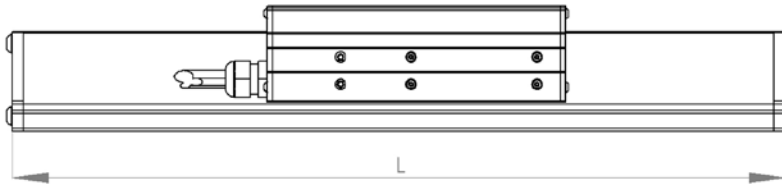
Mechanical specifications

		MLL 20200	MLL 20200	MLL 20400
		HS	HR	HS
Linear motor features				
Maximum speed at 560Vdc	m/s	3	3	3
Continuous force aircooled F_x ¹⁾	N	100	100	200
Peak force F_{xp}	N	200	200	400
Nominal current	A	3.0	3.0	6.0
Peak current	A	6.0	6.0	12.0
Guidance features				
F_y	N	900	900	900
F_z	N	900	900	900
M_x	Nm	70	70	70
M_y	Nm	200	300	300
M_z	Nm	200	300	300
Structure profile features				
Geometrical moments of inertia L_x	mm ⁴		13.43x10 ⁵	
Geometrical moments of inertia L_y	mm ⁴		27.75x10 ⁵	
Elastic module	N/mm ²		70000	
Weight				
Weight of carriage	kg	3.1	4.2	4.5
Weight of 100 mm	kg		1.25	

¹⁾ depending on application and temperature



Dimensions MLL



Drawing only for reference.
Please ask for ready 3D files.

Choice of stroke

		MLL 20200HS	MLL 20200HR	MLL 20400HS
Carriage length C, mm		218	316	316
Length, mm	Code	Stroke ⁽²⁾		
324	00324	70	-	-
420	00420	166	68	68
564	00564	310	212	212
708	00708	454	356	356
804	00804	550	452	452
948	00948	694	596	596
1092	01092	838	740	740
1188	01188	934	836	836
1332	01332	1078	980	980
1476	01476	1222	1124	1124
1572	01572	1318	1220	1220
1716	01716	1462	1364	1364
1860	01860	1606	1508	1508
1956	01956	1702	1604	1604
2100	02100	1846	1748	1748
2244	02244	1990	1892	1892
2340	02340	2086	1988	1988
2484	02484	2230	2132	2132
2628	02628	2374	2276	2276
2724	02724	2470	2372	2372
2868	02868	2614	2516	2516
3012	03012	2758	2660	2660
3108	03108	2854	2756	2756
3252	03252	2998	2900	2900
3396	03396	3142	3044	3044
3492	03492	3238	3140	3140
3636	03636	3382	3284	3284
3780	03780	3526	3428	3428
3876	03876	3622	3524	3524
4020	04020	3766	3668	3668

²⁾ Other stroke lengths are available upon request.