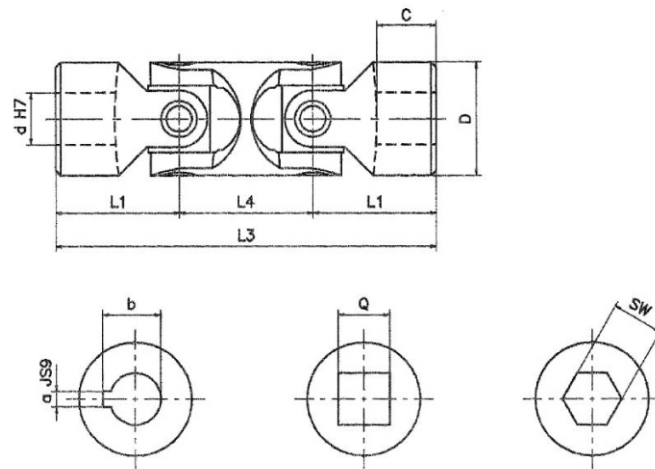




- Bussole di scorrimento anti-usura in acciaio cementato e temperato.  
*Wear resistant sliding bushes from cemented and hardened steel.*
- Robusti precisi e versatili; vasto campo di applicazione.  
*Strong precise and versatile; wide application field.*
- Angolo max: 90°. Giri max. 1000/min.  
*Max angle: 90°. Max speed 1000 R.P.M.*
- "GD" corrispondenti DIN 808 - "GBD" corrispondenti DIN 808/7551  
*"GD" to DIN 808 - "GBD" to DIN 808/7551*
- Esecuzioni speciali a richiesta.  
*Special executions on request.*



Mod. Type	Codice / Code	d	D	L3	L1	L4	C	Codice / Code	Codice / Code	a	b	Codice / Code	Q	* SW	Peso Weight Kg
<b>01GD</b>	SGOD 0600	6	16	56	17	22	8	SGOD 061C	SGOD 062C	2	7	SGOD 062Q	6	6	0,08
<b>02GD</b>	SGOD 0800	8	16	62	20	22	11	SGOD 081C	SGOD 082C	2	9	SGOD 082Q	8	8	0,08
<b>03GD</b>	SGOD 1000	10	22	74	24	26	12	SGOD 101C	SGOD 102C	3	11,4	SGOD 102Q	10	10	0,15
<b>04GD</b>	SGOD 1200	12	25	86	28	30	13	SGOD 121C	SGOD 122C	4	13,8	SGOD 122Q	12	12	0,25
<b>05GD</b>	SGOD 1400	14	28	96	30	36	14	SGOD 141C	SGOD 142C	5	16,3	SGOD 142Q	14	14	0,40
<b>1GD</b>	SGOD 1600	16	32	104	34	36	16	SGOD 161C	SGOD 162C	5	18,3	SGOD 162Q	16	16	0,45
<b>2GD</b>	SGOD 1800	18	36	114	37	40	17	SGOD 181C	SGOD 182C	6	20,8	SGOD 182Q	18	18	0,70
<b>3GD</b>	SGOD 2000	20	42	128	41	46	18	SGOD 201C	SGOD 202C	6	22,8	SGOD 202Q	20	20	1,00
<b>4GD</b>	SGOD 2200	22	45	145	47,5	50	22	SGOD 221C	SGOD 222C	6	24,8	SGOD 222Q	22	22	1,55
<b>5GD</b>	SGOD 2500	25	50	163	54	55	26	SGOD 251C	SGOD 252C	8	28,3	SGOD 252Q	25	25	2,00
<b>6GD</b>	SGOD 3000	30	58	190	61	68	29	SGOD 301C	SGOD 302C	8	33,3	SGOD 302Q	30	30	2,90
<b>6GD1</b>	SGOD 3200	32	58	198	65	68	33	SGOD 321C	SGOD 322C	10	35,3	SGOD 322Q	30	30	3,00
<b>7GD</b>	SGOD 3500	35	70	212	70	72	35	SGOD 351C	SGOD 352C	10	38,3	—	**	**	4,75
<b>8GD</b>	SGOD 4000	40	80	245	80	85	39	SGOD 401C	SGOD 402C	12	43,3	—	**	**	7,20
<b>9GD</b>	SGOD 5000	50	95	290	95	100	46	SGOD 501C	SGOD 502C	14	53,8	—	**	**	12,00
<b>03GBD</b>	SGBD 1000	10	16	74	26	22	15	SGBD 101C	SGBD 102C	3	11,4	SGBD 082Q	8	8	0,08
<b>04GBD</b>	SGBD 1200	12	22	88	31	26	18	SGBD 121C	SGBD 122C	4	13,8	SGBD 102Q	10	10	0,20
<b>1GBD</b>	SGBD 1600	16	25	104	37	30	21	SGBD 161C	SGBD 162C	5	18,3	SGBD 122Q	12	12	0,30
<b>3GBD</b>	SGBD 2000	20	32	124	43	38	24	SGBD 201C	SGBD 202C	6	22,8	SGBD 162Q	16	16	0,50
<b>5GBD</b>	SGBD 2500	25	42	156	54	48	31	SGBD 251C	SGBD 252C	8	28,3	SGBD 202Q	20	20	1,20
<b>6GBD</b>	SGBD 3000	30	50	188	66	56	38	SGBD 301C	SGBD 302C	8	33,3	SGBD 252Q	25	25	1,70
<b>8GBD</b>	SGBD 4000	40	70	238	83	72	47	SGBD 401C	SGBD 402C	12	43,3	—	**	**	4,30