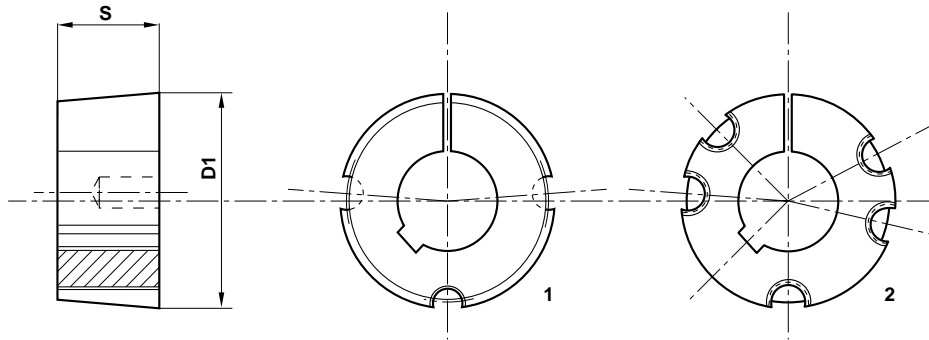
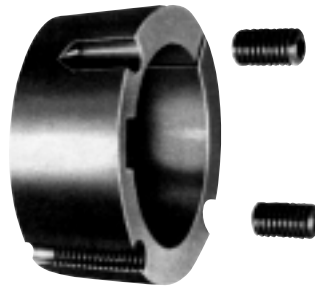


BUSSOLE CONICHE
TAPER BUSHES
SPANNBÜCHSEN
MOYEURS AMOVIBLES
CASQUILLOS CÓNICOS



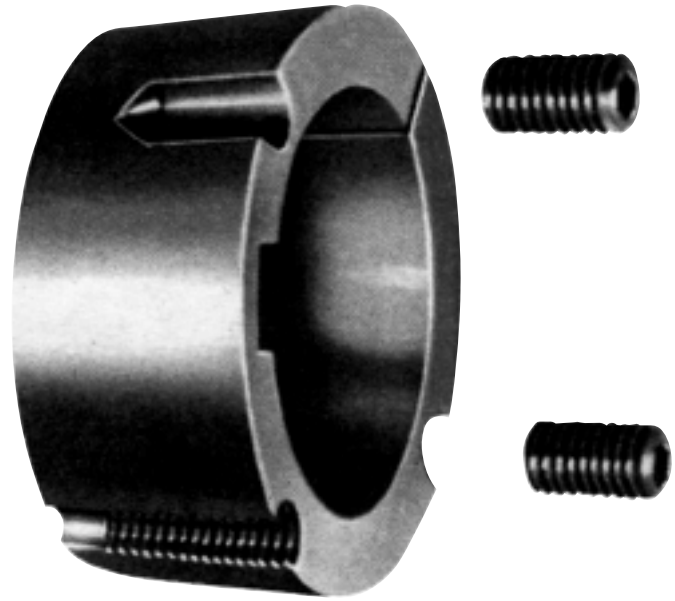
Fori standard serie metrica
Standard stock bores metric series
Standard Lagerbohrungen metrische Reihe
Alésages standard de stock série métrique
Taladros standard de acopio serie metrica

Esempio: Codice Foro in mm Ø 14 = 1615014
Exemple: Code symbol Bore in mm Ø 14 = 1615014
Beispiel: Fabriknummer Bohrung in mm Ø 14 = 1615014
Exemple: Code symbole Alesage en mm Ø 14 = 1615014
Ejemplo: Numero de fabrica Taladros en mm Ø 14 = 1615014

TIPO BUSSOLA BUSH TYPE BUCHSE TYP MOYEURS TYPE CASQUILLOS TIPO	COD.	FORO (ISO E 8) BORE (ISO E 8) BOHRUNGE (ISO E 8) ALÉSAGE (ISO E 8) TALADRO (ISO E 8)	COPPIA TRASMISSIBILE N/m TRANSMISSIBLE TORQUE N/m HAFTMOMENT N/m COUPLE TRANSMISSIBILE N/m CUPLA DE TRANSMISSION N/m	VITI SCREWS SCHRAUBE VIS TORNILLO B.S.W.	D1	TIPO TYPE TYP TYPE TIPO	S	PESO GEWICHT POIDS PESO Kg
1008	1008...	9 10 11 12 14 16 18 19 20 22 24 25	136	1/4" x 1/2"	35,0	1	22,3	0,16
1108	1108...	9 10 11 12 14 16 18 19 20 22 24 25 28*	147	1/4" x 1/2"	38,0	1	22,3	0,16
1210	1210...	11 12 14 16 18 19 20 22 24 25 28 30 32	407	3/8" x 5/8"	47,5	1	25,4	0,32
1215	1215...	14 19 20 24 25 28	407	3/8" x 5/8"	47,5	1	38,1	0,50
1610	1610...	14 16 18 19 20 22 24 25 28 30 32 35 38 40* 42*	486	3/8" x 5/8"	57,0	1	25,4	0,41
1615	1615...	14 16 18 19 20 22 24 25 28 30 32 35 38 40* 42*	486	3/8" x 5/8"	57,0	1	38,1	0,60
2012	2012...	14 16 18 19 20 22 24 25 28 30 32 35 38 40 42 45 48 50*	808	7/16" x 7/8"	70,0	1	31,8	0,75
2517	2517...	16 18 19 20 22 24 25 28 30 32 35 38 40 42 45 48 50 55 60	1310	1/2" x 1"	85,5	1	44,5	1,06
3020	3020...	25 28 30 32 35 38 40 42 45 48 50 55 60 65 70 75	2710	5/8" x 1" 1/4	108,0	1	50,8	2,50
3030	3030...	35 38 40 42 45 48 50 55 60 65 70 75	2710	5/8" x 1" 1/2	108,0	1	76,2	3,75
3525	3525...	35 38 40 42 45 48 50 55 60 65 70 75 80	5060	1/2" x 1" 1/2	127,0	2	64,9	4,20
3535	3535...	35 38 40 42 45 48 50 55 60 65 70 75 80 85 90*	5060	1/2" x 1" 1/2	127,0	2	88,9	5,13
4030	4030...	40 42 45 48 50 55 60 65 70 75 80 85 90 100*	8740	5/8" x 1" 1/2	146,0	2	76,2	6,75
4040	4040...	40 42 45 48 50 55 60 65 70 75 80 85 90 100*	8740	5/8" x 1" 3/4	146,0	2	101,6	7,68
4545	4545...	55 60 65 70 75 80 85 90 100*	12400	3/4" x 2"	162,0	2	115,0	10,56
5050	5050...	70 75 80 85 90 100 105 110 115 120 125	12400	7/8" x 2" 1/4	177,6	2	127,0	15,17

Dimensioni delle cave (UNI 6604-69 DIN 6885) con foro standard serie metrica
Dimensions of keyways (UNI 6604-69 DIN 6885) with standard bore metric series
Abmessungen der Keilnuten (UNI 6604-69 DIN 6885) mit Standardbohrung metrische Reihe
Dimens. des rainures de clavette (UNI 6604-69 DIN 6885) dans le moyeux avec alésage stand. série métrique
Medidas de los chaveteros (UNI 6604-69 DIN 6885) con agujero standard serie métrica

D	b	t	Dimensioni delle cave Dimensions of keyways Abmessungen der Keilnuten Dimensions des rainures de clavette Medidas de los chaveteros		
			D *	b	t
Over 10 to 12	4	D + 1,8		28*	D + 1,3
» 12 » 17	5	D + 2,3			
» 17 » 22	6	D + 2,8			
» 22 » 30	8	D + 3,3			
» 30 » 38	10	D + 3,3			
» 38 » 44	12	D + 3,3			
» 44 » 50	14	D + 3,8			
» 50 » 58	16	D + 4,3			
» 58 » 65	18	D + 4,4			
» 65 » 75	20	D + 4,9			
» 75 » 85	22	D + 5,4			
» 85 » 95	25	D + 5,4			
» 95 » 110	28	D + 6,4			
» 110 » 130	32	D + 7,4			
			50*	14	D + 2,8
			90*	25	D + 3,4
			100*	28	D + 5,4



Fori standard in pollici
Standard stock bores series in inches
Standard Lagerbohrungen reihe in Zoll
Alésages standard de stock série en pouces
Taladros standard de acopio en pulgadas

TIPO BUSSOLA BUSH TYPE BUCHSE TYP MOYEUX TYPE CASQUILLOS TIPO	COD.	FORO IN POLLICI (ISO E 8) BORE IN INCHES (ISO E 8) BOHRUNGE IN ZOLLTEILUNG (ISO E 8) ALÉSAGE EN POUÇES (ISO E 8) TALADRO EN PULGADAS (ISO E 8)
1008	1008...	3/8 - 7/16 - 1/2 - 9/16 - 5/8 - 11/16 - 3/4 - 13/16 - 7/8 - 15/16 - 1" - 1"1/16* - 1"1/8*
1108	1108...	3/8 - 7/16 - 1/2 - 9/16 - 5/8 - 11/16 - 3/4 - 13/16 - 7/8 - 15/16 - 1" - 1"1/16* - 1"1/8*
1210	1210...	1/2 - 9/16 - 5/8 - 11/16 - 3/4 - 13/16 - 7/8 - 15/16 - 1" - 1"1/16 - 1"1/8 - 1"3/16 - 1"1/4 - 1"5/16 - 1"3/8
1215	1215...	1/2 - 9/16 - 5/8 - 11/16 - 3/4 - 13/16 - 7/8 - 15/16 - 1" - 1"1/16 - 1"1/8 - 1"3/16 - 1"1/4 - 1"5/16 - 1"3/8
1610	1610...	1/2 - 9/16 - 5/8 - 11/16 - 3/4 - 13/16 - 7/8 - 15/16 - 1" - 1"1/16 - 1"1/8 - 1"3/16 - 1"1/4 - 1"5/16 - 1"3/8 - 1"7/16 - 1"1/2 - 1"5/8*
1615	1615...	1/2 - 9/16 - 5/8 - 11/16 - 3/4 - 13/16 - 7/8 - 15/16 - 1" - 1"1/16 - 1"1/8 - 1"3/16 - 1"1/4 - 1"5/16 - 1"3/8 - 1"7/16 - 1"1/2 - 1"5/8*
2012	2012...	3/4 - 13/16 - 7/8 - 15/16 - 1" - 1"1/16 - 1"1/8 - 1"3/16 - 1"1/4 - 1"5/16 - 1"3/8 - 1"7/16 - 1"1/2 - 1"5/8 - 1"3/4 - 1"7/8 - 2"
2517	2517...	3/4 - 7/8 - 15/16 - 1" - 1"1/16 - 1"1/8 - 1"3/16 - 1"1/4 - 1"5/16 - 1"3/8 - 1"7/16 - 1"1/2 - 1"5/8 - 1"3/4 - 1"7/8 - 2" - 2"1/8 - 2"1/4 - 2"3/8 - 2"1/2 - 2"5/8 - 2"3/4 - 2"7/8 - 3"
3020	3020...	1"1/4 - 1"5/16 - 1"3/8 - 1"7/16 - 1"1/2 - 1"5/8 - 1"3/4 - 1"7/8 - 2" - 2"1/8 - 2"1/4 - 2"3/8 - 2"1/2 - 2"5/8 - 2"3/4 - 2"7/8 - 3"
3030	3030...	1"1/4 - 1"5/16 - 1"3/8 - 1"7/16 - 1"1/2 - 1"5/8 - 1"3/4 - 1"7/8 - 2" - 2"1/8 - 2"1/4 - 2"3/8 - 2"1/2 - 2"5/8 - 2"3/4 - 2"7/8 - 3"
3525	3525...	1"1/2 - 1"5/8 - 1"3/4 - 1"7/8 - 2" - 2"1/8 - 2"1/4 - 2"3/8 - 2"1/2 - 2"5/8 - 2"3/4 - 2"7/8 - 3" - 3"1/8 - 3"1/4 - 3"3/8 - 3"1/2
3535	3535...	1"1/2 - 1"5/8 - 1"3/4 - 1"7/8 - 2" - 2"1/8 - 2"1/4 - 2"3/8 - 2"1/2 - 2"5/8 - 2"3/4 - 2"7/8 - 3" - 3"1/8 - 3"1/4 - 3"3/8 - 3"1/2
4030	4030...	1"3/4 - 1"7/8 - 2" - 2"1/8 - 2"1/4 - 2"3/8 - 2"1/2 - 2"5/8 - 2"3/4 - 2"7/8 - 3" - 3"1/8 - 3"1/4 - 3"3/8 - 3"1/2 - 3"3/4 - 4"
4040	4040...	1"3/4 - 1"7/8 - 2" - 2"1/8 - 2"1/4 - 2"3/8 - 2"1/2 - 2"5/8 - 2"3/4 - 2"7/8 - 3" - 3"1/8 - 3"1/4 - 3"3/8 - 3"1/2 - 3"3/4 - 4"
4545	4545...	2" - 2"1/8 - 2"1/4 - 2"3/8 - 2"1/2 - 2"5/8 - 2"3/4 - 2"7/8 - 3" - 3"1/8 - 3"1/4 - 3"3/8 - 3"1/2 - 3"3/4 - 4"
5050	5050...	2"3/4 - 2"7/8 - 3" - 3"1/8 - 3"1/4 - 3"3/8 - 3"1/2 - 3"3/4 - 4 - 4"1/4 - 4"1/2 - 4"3/4 - 5"

Dimensioni delle cave (B.S. 46: part. 1: 1958) con fori in pollici
Dimensions of keyways (B.S. 46: part. 1: 1958) with standard bores in inches
Abmessungen der keilnuten (B.S. 46: part. 1: 1958) mit Standardbohrung in Zoll
Dimensions des rainures des clavettes (B.S. 46: part. 1: 1958) dans le moyeux avec alésage standard serie in pouces
Medidas de los chaveteros (B.S. 46: part. 1: 1958) en los casquillos con taladro standard en pulgadas

D		b	t		D *	Dimensioni delle cave Dimensions of keyways Abmessungen der Keilnuten Dimensions des rainures de clavette Medidas de los chaveteros	
OVER	TO					b	t
1/4	1/2	1/8	D + 1/16		1"1/16* - 1"1/8* 1"5/8* 2"3/8* - 2"1/2* 3"3/4* - 3"1/2* 3"3/4* - 4" * 5" *	5/16	D + 5/64
1/2	3/4	3/16	D + 3/32				
3/4	1	1/4	D + 1/8				
1"	1 1/4	5/16	D + 1/8				
1" 1/4	1 1/2	3/8	D + 1/8				
1" 1/2	1 3/4	7/16	D + 5/32				
1" 3/4	2	1/2	D + 5/32				
2"	2 1/2	5/8	D + 7/32				
2" 1/2	3	3/4	D + 1/4				
3"	3 1/2	7/8	D + 5/16				
3" 1/2	4	1"	D + 3/8				
4"	5	1" 1/4	D + 7/16				
5"	6	1" 1/2	D + 1/2				
6"	7	1" 3/4	D + 5/8				